



ATTACHMENT A

Project Proposal Form

Project Proposal Form

2019



Introduction

One of the key objectives of the National ICT Policy is to ensure equitable access to Information and Communication Technology Services. The policy objective is founded on the premise that ICT is seen as necessary tool for economic growth and social development. The Universal Access Board within NICTA is mandated to give effect to this policy by identifying and developing projects aimed at bridging the telecommunications and ICT gap that limits the opportunities available to ordinary citizens.

Within this context, the National Information and Communications Technology Authority (NICTA) is inviting stakeholders including the general public, ICT operators and service providers to propose or suggest any projects or programs that you think are consistent with the overarching goals within the ICT sector and that NICTA should consider in its current or future programs. Proposals that are accepted will be considered by the UAS Board for potential inclusion in the 2019 UAS programs.

Scope of Proposals

All stakeholders including the general public, ICT operators and service providers are invited to propose or suggest any project for NICTA's consideration. The submitted proposals should seek to promote the long-term economic and social development of Papua New Guinea through projects that will among other things, encourage the development of ICT infrastructure and improve the availability of ICT services within the country including under-served communities and geographic areas.

Proponents are advised to note that submitting proposals does not secure funding/assistance from NICTA in any form or guarantee inclusion in the UAS programs. Submitted proposals will only be received as project concepts for NICTA's consideration.

Submission of Proposals

Proposals must be submitted in the proposed format in Attachment 1. Proposals can be submitted by hard copies or electronically to:

Kila Gulo
Acting Director UAS Secretariat
NICTA
PO Box 8227
Boroko 111
National Capital District

Email: uas@nicta.gov.pg

Deadline

The deadline for submission of proposals is **7 September 2019**. Late proposals will not be accepted

Section A

Title: EMTV Project Proposal Submission Form

Section B

SUMMARY OF PROJECT

1.0 Objective and Outcomes of Proposed Project

To submit EMTV Television coverage to several sub-districts, under the Universal Access Service program, enabling all Papua New Guineans to have Free-to-air television access nationwide.

Facts and Consideration.

Purely based on commercial consideration EMTV is not able to extend TV coverage to quite a big number of districts and sub-districts of PNG.

For 2019, EMTV is submitting, for consideration, the extension of EMTV service to Alotau Town, Milne Bay province, Popondetta on Oro province, Rigo in Central and Malalaua in Gulf. In the two main centers Alotau and Popondetta.

For Alotau and Popondetta the fortunate population gets TV services from cable or direct to their homes (DTH).

2.0 Benefits of Proposed Project

The majority of our population in these two main centers still do not have access to Free-to-Air (FTA) TV. We believe that it should be made mandatory for all Papua New Guineans to have access to Free To Air Television – for all Papua New Guineans by Papua New Guineans.

The other two sub-districts do not have access to any TV services at all, probably only through mobile phones again.

In Alotau and Popondetta it is anticipated that at least an additional 10, 000 viewers at each location will have Free-to-Air Television with no subscription cost.

In Rigo and Malalaua an additional 3, 000 viewers will have access to Free-to-Air Television.

With the four proposed sites, EMTV believes that an additional 26, 000 viewers should have access to EMTV's wide range of content, as most if not all TV programs on EMTV are classified G or PG.

Communities nationwide will benefit largely at the exposure provided by EMTV's FTA television services. School children throughout PNG will also have access to school programs and entertainment shows like Vocal Fusion. And others will be reliably informed and educated on events or news outside their districts. This also provides a user friendly opportunity for awareness on government programs, policies and processes.

3.0 Technical Aspects

EMTV submission is to utilize existing Telikom tower infrastructures and huts in these four sites and to install an EMTV retransmission service.

EMTV program distribution is via satellite, Intelsat 19.

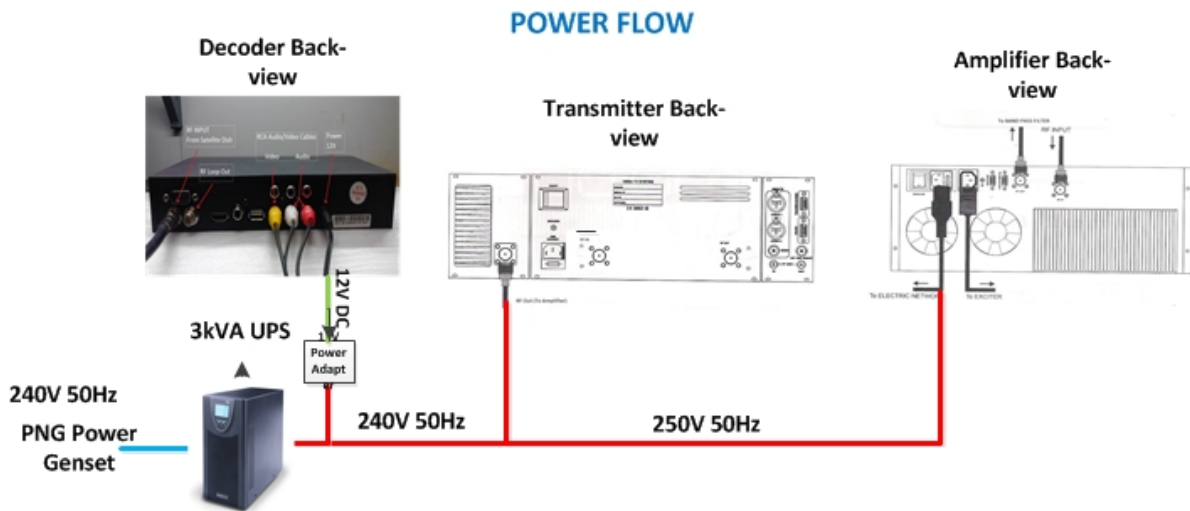
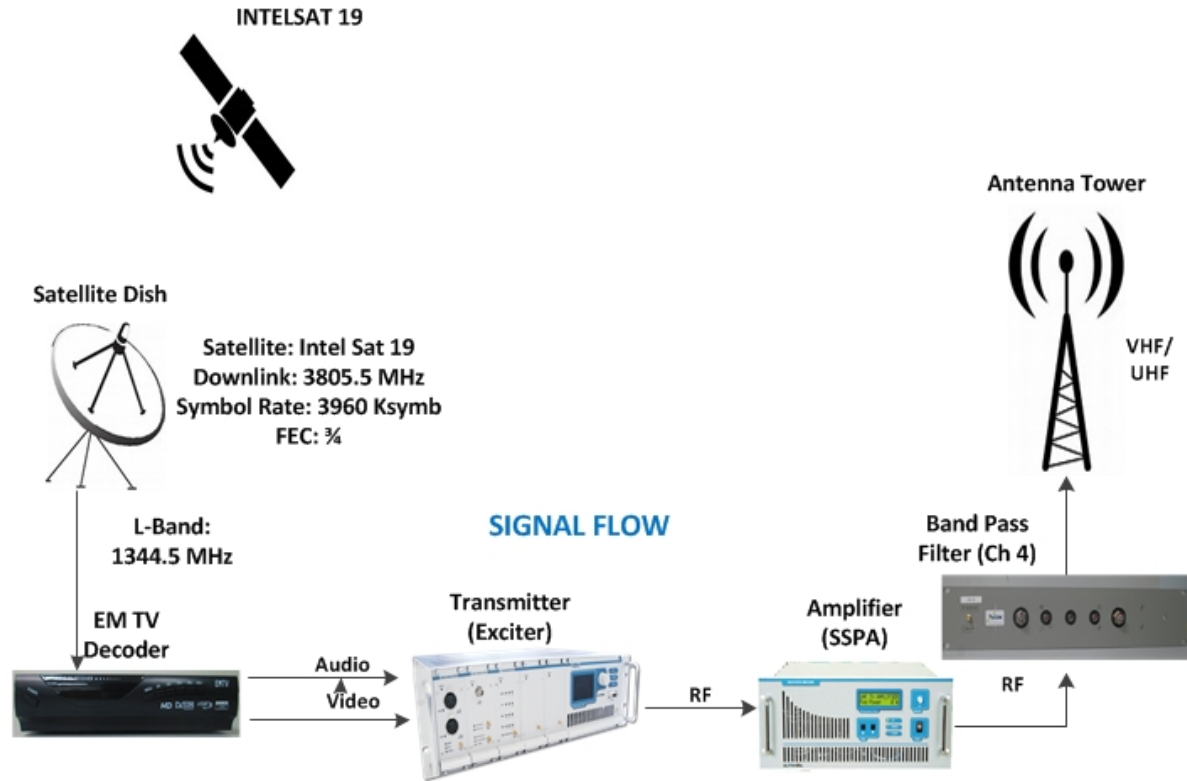
Fig. 1 is the technical diagram of the retransmission site which will be the same in all four sites.

The diagram also highlights the different signal flows C-band to L-band, Audio/Video, IF to RF and also AC power.

For 200 watts VHF RF transmit power, AC power consumption would be 500W.

A 200 watts VHF transmitter will be utilized in each of these locations for at least an approximate five kilometer radius line of sight coverage.

EM TV Transposer Sites Setup



4.0 Cost

The cost per site would approximately be K200,000 each.
For the 4 suggested sites, the total cost would be K800,000.

Fig. 2 below, outlines the requirement and cost per site.

Fig. 2

EMTV Terrestrial Television Transmission (Complete Transmitter Set)	Quantity
1) Number of Sites	1
2) School DTH for Classroom broadcast	3
3) Equipment/Services	
• VHF Antenna System	1
• VHF 200 Watts Transmitter	1
• Equipment Rack	1
• Satellite Decoder	1
• Cables and connectors	1 Set/Lot
• 3 Meter Mesh Satellite Dish	1
• UPS/Power Inverter/ Power Isolator (only one type will apply and determined upon a site inspection)	1
• Implementation Services, Project Management, On-Site Testing	1
• Installation of Equipment, 1 st Year Support and Service Agreement Fee	1
Total	K229,000
Total Price after Discount per site (Inclusive of GST)	K200,000

5.0 Sustainability

Once this project is completed and in place, EMTV will liaise with the respective provincial governors and/or open members of parliament, and develop and implement a systematic way whereby they take over the responsibility of the ongoing operating costs of these sites.

6.0 Cross-cutting Issues

It is becoming obvious that Free-to-Air Television is an appropriate tool for government, government agencies, aid agencies etc to disseminate visually their development programs to the general population nationwide, not only to the well to do viewers.

EMTV free-to-air service is mainly to educate, inform and entertain the mass population of Papua New Guinea with high quality, informative, educational and compelling TV programs. And more importantly, it is Free To Air and should be accessible to all Papua New Guineans.

7.0 Monitoring and Evaluation

The recommended practice will be for EMTV to identify appropriate partners like Telikom PNG or Provincial Government or Districts offices, who will manage the sites and EMTV will in turn, be responsible for major problems and upgrades.

To date EMTV loyal viewers continue to monitor the services daily and report failures back to EMTV which result in prompt action. This monitoring and evaluation process will continue and notably be fine-tuned into a sustainable service.

Thank you very much for the opportunity to present our submission. My team and I would be more than happy to sit and discuss this submission further.

I look forward to hearing from you soon

Yours Sincerely,



Regards,

Demas Keta

HEAD OF ENGINEERING & ICT

T: + (675) 325 7322 / 312 9248 M: + (675) 7640 1935 E: dketa@emtv.com.pg

Media Niugini Limited (MNL) | Level 2 Garden City | Angau Drive | PO Box 443, Boroko, NCD | Papua New Guinea

